

## GG15 Stainless Steel Grab Handles

### Features

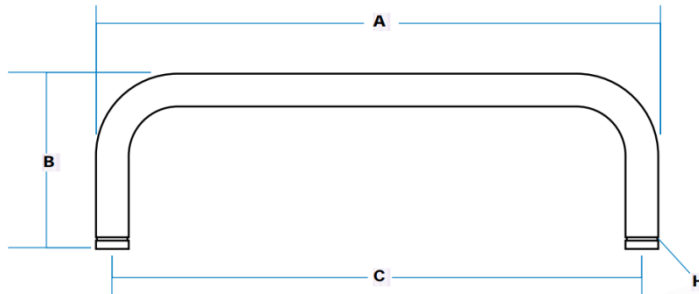
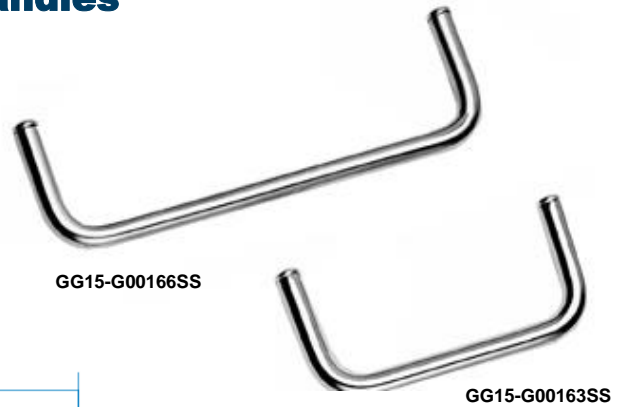
- Bright, polished
- Rolled from 9mm stainless steel bar

### Material

- Stainless steel, bright polished

### Notes

- Supplied with 2-off chromium-plated screws, M5x10mm



| Part No.      | A   | B  | C   | D  | Bar Diameter |
|---------------|-----|----|-----|----|--------------|
| GG15-G00163SS | 104 | 50 | 96  | M5 | 9            |
| GG15-G00166SS | 165 |    | 157 |    |              |

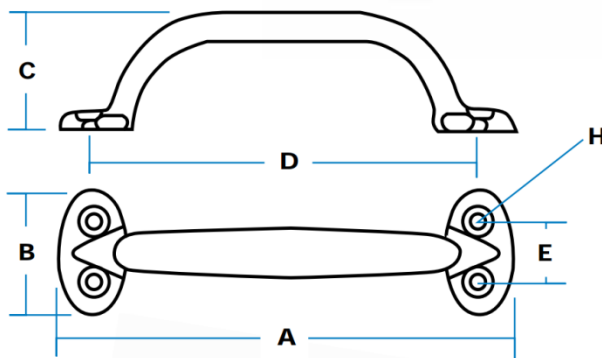
## GG16 'Traditional' Grab Handles

### Features

- Traditionally-styled handle for plant-on fitting

### Material

- Hand-polished and chromium plated



| Part No.    | A   | B  | C  | D   | E  | H               |
|-------------|-----|----|----|-----|----|-----------------|
| GG16-G20550 | 165 | 41 | 46 | 140 | 19 | 5 mm, c/s 10 mm |